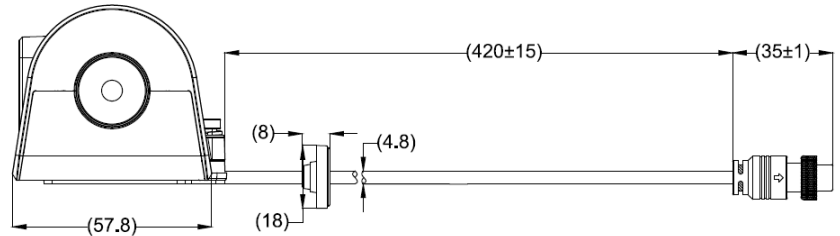
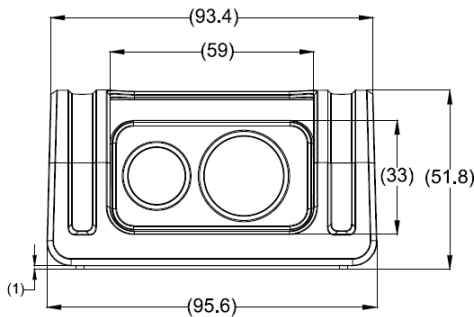


Product Specification



Brigade Model Number: IP-1100C
Part Number: (5936)



Dimensions: mm

Environmental Specifications:

- Operating Temperature: -40° to +70°C
- Storage Temperature: -40° to +85°C
- Camera IP Rating: IP67
- Vibration Rating: 16.6G
- Shocking Rating: 51G

Approved Standards:

- CE - (EN55032:2015/AC:2016, EN55024:2017)
- FCC - (47 CFR Part 15 Subpart B)
- IC - (ICES-003:2016 (Issue 6))
- E-Mark - (UNECE Regulation 10 Rev. 5)
- RoHS2
- REACH
- WEEE

Technical Specifications:

- Operating Voltage: 12 Vdc ± 2 Vdc
- Current Consumption: 133 mA @ 12 Vdc (IR off)
360 mA @ 12Vdc (IR on)
- Viewing Angle: 84° (H), 46° (V), 103° (D)
- Lens Focal Length: 4mm
- Picture Elements: 1920(H) x 1080(V)
- Visual Resolution: 850 TV Lines
- Required Illumination: 0 Lux (IR)
- Imaging Device: CMOS
- Video Output Signal: H.264 or H.265
- Network Protocol: MDR5, ONVIF, TCP/IP, HTTP, DHCP, NTP, FTP
- Overall Dimensions: 95.6mm (W) x 51.8mm (H) x 62.1mm (D)
- Assembled Weight: 354 Grams
- Housing Material: Cast Aluminium / PC
- Finish: Black / White

Features:

- High-definition picture quality
- Vehicle body mounted, side view camera
- Built-in G-sensor for automatic image orientation
- Night vision via 1x high power infrared LED enabled by integrated day / night sensor
- IR can be auto-turned on when camera temperature is lower than 0 Celsius to heat the camera up
- Camera View normal, mirror / flip view settings via MDR OSD or IP camera web interface
- Built-in web server supports web browser access
- Fast Setup feature available in MDR 500 Series to auto-assign IP address for IP cameras
- VBV Type female connector (6-pin)
- Back Light Compensation
- Automatic White Balance

Package Contents:

- 1x IP-1100C-C IP Camera
- 1x IP-1100C-FIX Fixing Kit
- 1x IP-1100C-IG Installation Guide

Optional Ancillaries:

- IP-1XXX-PC IP Camera Power and Ethernet Cable
- IP-EM4 PON Switch-4 Ports
- IP-EM8 PON Switch-8 Ports
- IP-L601 Extension Cable - 1m
- IP-L603 Extension Cable - 3m
- IP-L605 Extension Cable - 5m
- IP-L610 Extension Cable - 10m
- IP-L615 Extension Cable - 15m
- IP-L620 Extension Cable - 20m
- IP-L630 Extension Cable - 30m